

**Performance tests**

## Test report

Test report n° SFY01 14WC031002

Customer	<b>ROSCH Innovations AG</b>
Product under test	<b>Kinetisches Power Plant</b>
Type - Model	<b>Prototype 250 W</b>

The above described product sample is tested to measure his power performance

Tribano, 20/12/2014

The laboratory Manager  
Ing. Roberto Bolzonaro



Safety Laboratory  
In compliance with UNI CEI EN ISO/IEC 17025  
World Testing Laboratory

<i>Testing laboratory</i>	WTLAB Srl Via Mantegna 3-5 35020 Tribano (PD) Italy
<i>Customer</i>	ROSCH Innovations AG
<i>Order confirmation nr.</i>	14WC031002
<i>Order confirmation date</i>	27/11/2014
<i>Sample receipt date</i>	Tested in Technik Zentrum Rosch-tech Troisdorf (DE)
<i>Test execution period</i>	10/12/2014

## 1. Requirements and Agreements

Request of testing was the efficiency measurement of a special electric central, made by ROSCH Innovations AG, generating electric power using a complex systems of tanks water immersed.

The customer request is related only to verify the performance of the machine, not the quality of the generated power (IEC 50160 requirements). There are not specific standard to do this for this special machine, thus we will follow some applicable parts of the standard:

IEC/ EN 62040-3 Uninterruptible power systems (UPS)  
Part 3: Method of specifying the performance and test requirements

The measurements and the performances are considered only in the maximum power generation condition

## 2. Information about the devices under test (DUT)

The tested product, named Kinetisches Power Plant, is composed by:

Tanks mechanism (18 tanks with valves for air compressed input with 4,8 liter of volume –each tank)

Power generator (GEN): Ametek Lamb electric Division Typ 120587K7 30 V DC nominal @8 A

Motorcompressor: ALITA linear air pumps model AL 120 max power 120W rated power 97W 230V 50Hz. Rated pressure 270 mbar

Battery pack for start-up (Start battery - BAT VS) and Battery pack for maintaining stable the system (Working battery - BAT VR):

36 pieces Samsung SDI ICR18650-26F Cells 3.7 V 2600 mAh, associated with nine pieces in a series (9 x 3.7 V = 33.3 V) and in four series of parallel (4 x 2.6 Ah = 10.4 Ah).

Four power relays (Relay1, Relay 2, Relay 3, Relay 5)

Electrical box

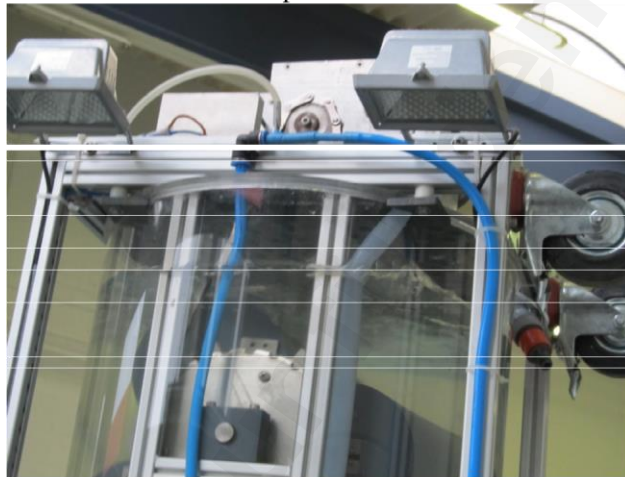
Test report n. SFY01 14WC031002

World Testing Laboratory

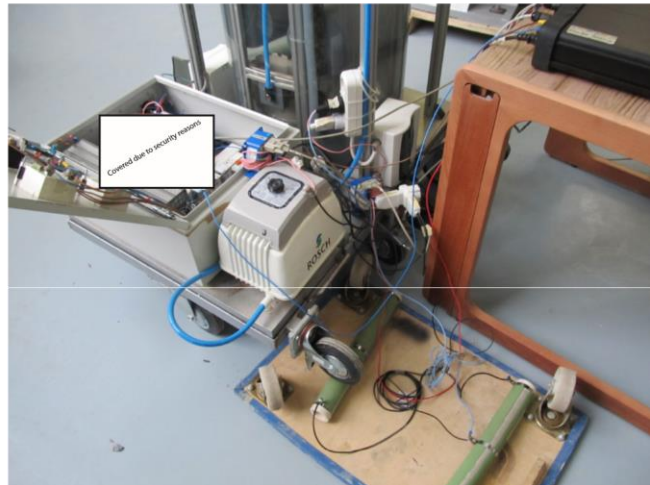
Photo of the tested Kinetics machine.



Sample tested



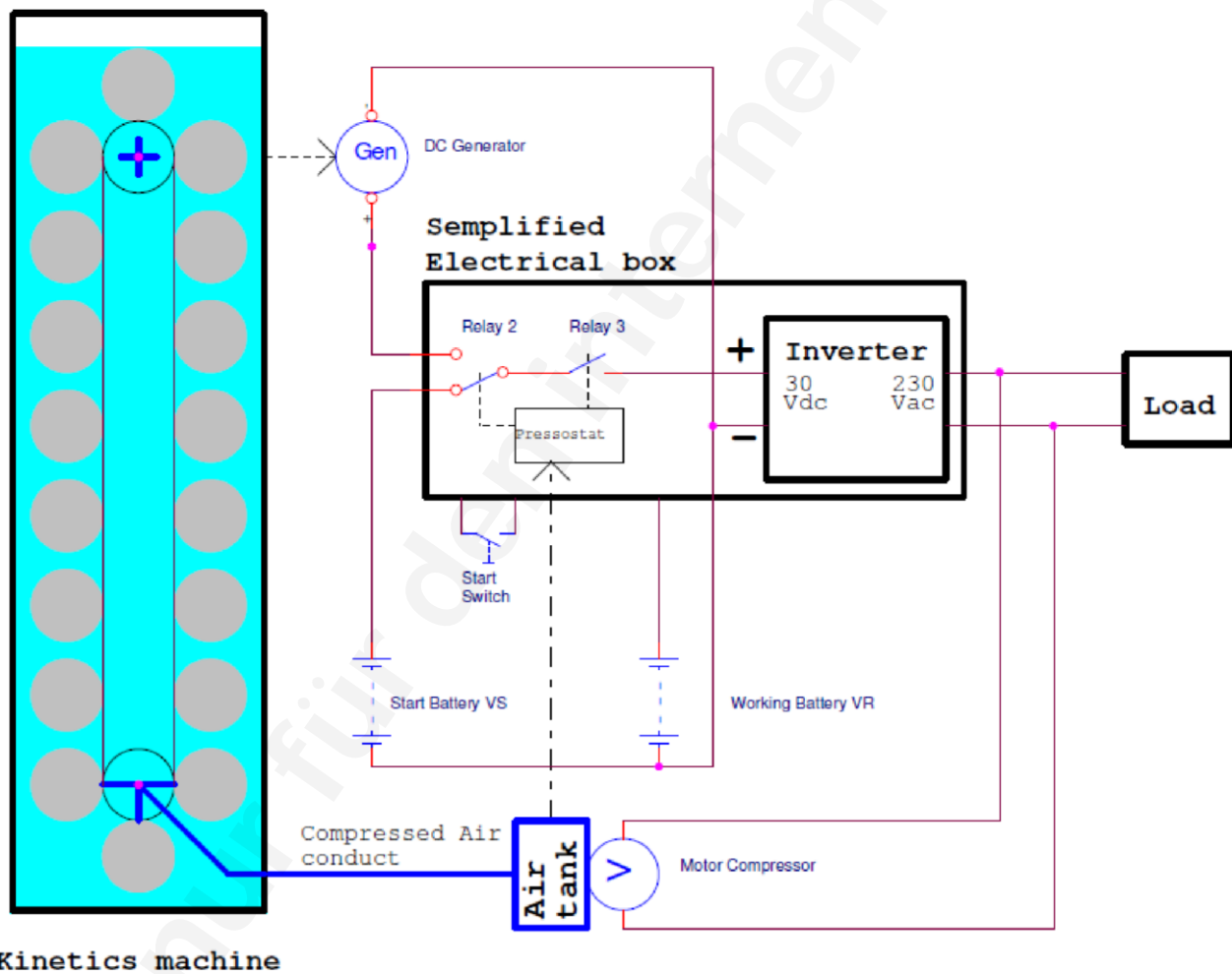
Generator view



Electrical box during test

Test report n. SFY01 14WC031002

3. Simplified schematic design of the “Kinetisches Power Plant”



Test report n. SFY01 14WC031002

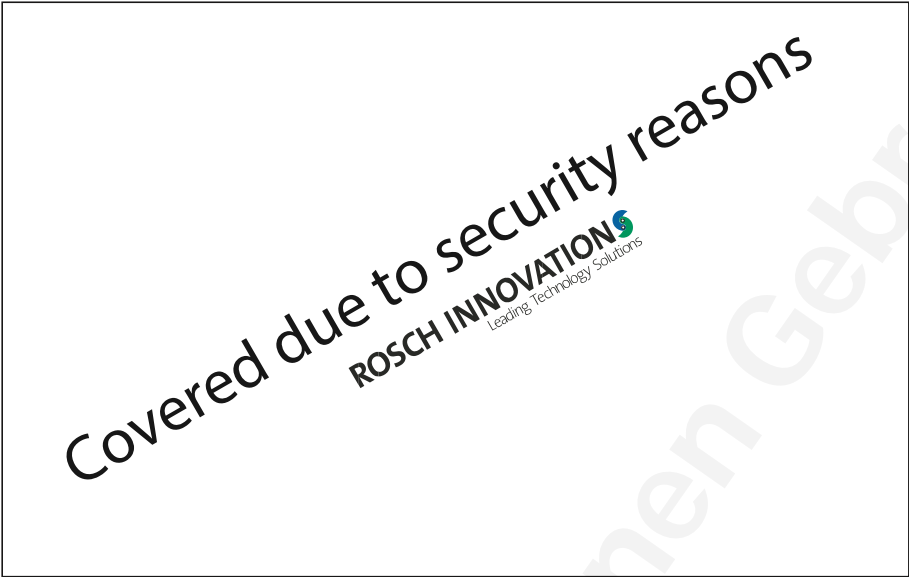
World Testing Laboratory

#### 4. Design of Electrical box.



#### 5. Functional sequence

When the main switch is turned on, pressing the Start button includes the (self-holding relays) RL-3 and begins operation. RL-3 activates the air compressor and consumers.



Test report n. SFY01 14WC031002

World Testing Laboratory

When the compressor air pressure is reached, differential pressure switch is activated. Differential pressure switch activates RL-4 and gives a condition for the start of the generator.



When generator reach the defined voltage (>24V.D.C.) through resistor R1 is activate RL-1. Relay RL-1 through reley RL-2 deactivates the starting battery and at the same time activates the working battery. In this way, the device is placed in the operating mode.



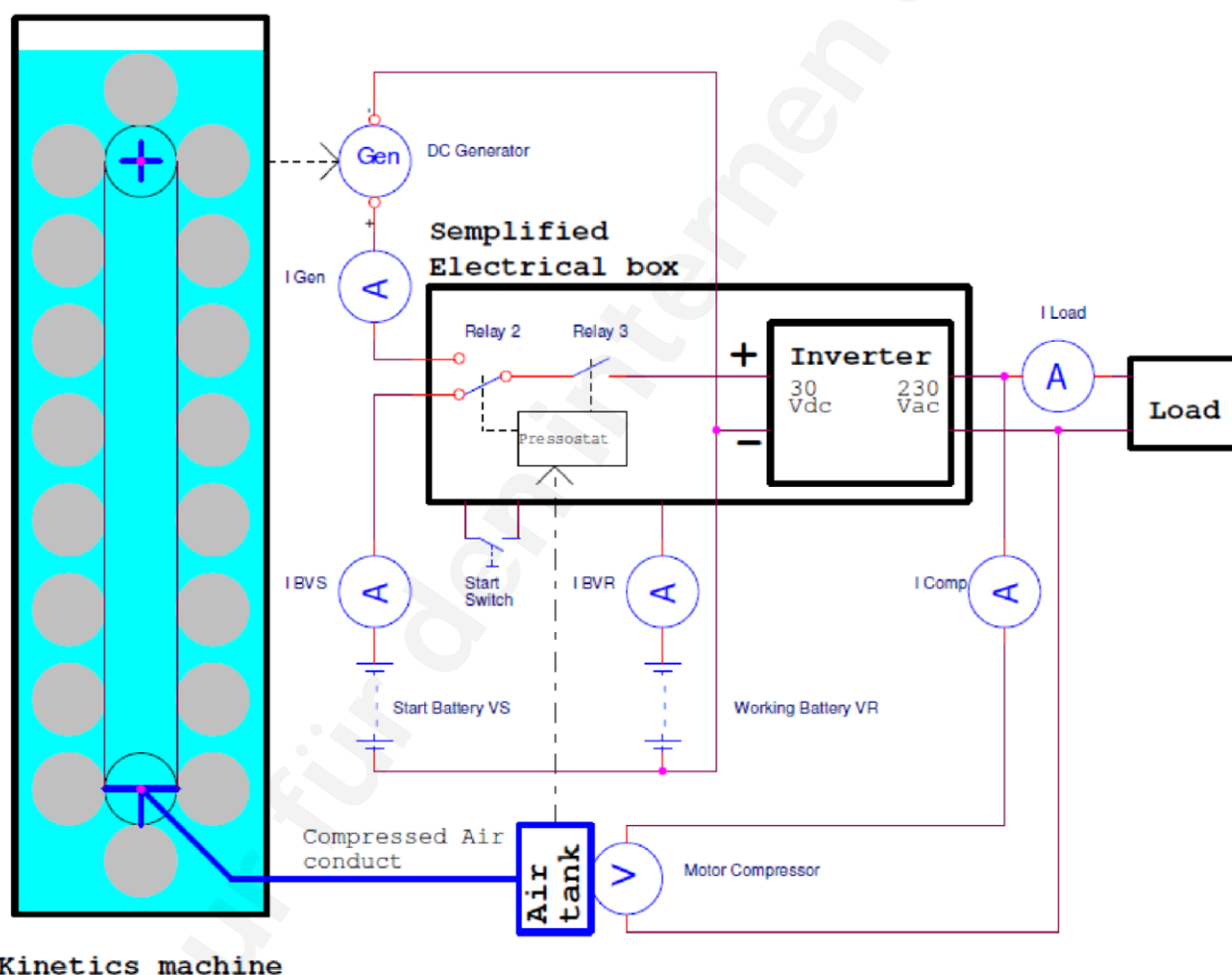
Test report n. SFY01 14WC031002



### 6. Description of the Test Set-up

The test results contained in this test report relate to the tested samples only. It is forbidden to partially reproduce the test report without WTLab Srl authorization. Tests were requested by the customer

Simplified schematic of measure circuit



Kinetics machine

Total Measurements

Note

	Description	Current (A)	Type of current	Voltage (V)	Power factor Cos $\phi$	Power (W)	Type of power	of
I Load	Load (resistive)	-1,47	ac	232	1	-341,04	Passive	Mesured in the 1st method
I Comp	Motor compressor	-1,18	ac	232,2	0,35	-95,8986	Passive	Mesured in the 1st method
I Gen	DC Generator	9,5	dc	29,4	1	279,3	Generated	Mesured in the 2nd method
I BVS	Start battery	18,5	dc	29,9	1	553,15	Generated	Only during start period (for about 5 s). Normally I <sub>BVS</sub> = 0A
I BVR	Working battery	5,5	dc	29,45	1	161,975	Generated	Mesured in the 1st method
I lamp	Load lamps	-1,07	ac	232	1	-248,24	Passive	Mesured in the 2nd method

**1st method: with resistive load, calculating the Output power of DC power generator**

	Description	Current (A)	Type of current	Voltage (V)	Power factor Cos $\phi$	Power (W)	Type of power
I Load	Load (resistive)	-1,47	ac	232,2	1	-341,33	Passive (measured)
I Comp	Motor compressor	-1,18	ac	232,2	0,35	-95,90	Passive (measured)
I BVS	Start battery	0	dc	29,45	1	0	Generated (measured After start time, about 5 s)
I BVR	Working battery	5,5	dc	29,45	1	161,98	<b>Working battery output power (measured)</b>
I Gen	<b>DC Generator</b>					<b>275,26</b>	DC Generator output power (Calculated)

Power of DC Generator used for load	Efficiency
179,36	65,2%

2nd method: with lamps as load, calculating the external power (from system battery) needed to maintain the system

	Description	Current (A)	Type of current	Voltage (V)	Power factor Cos $\phi$	Power (W)	Type of power
I lamp	Load lamps	-1,07	ac	232	1	-248,24	Passive (measured)
I Comp	Motor compressor	-1,18	ac	232,2	0,35	-95,90	Passive (measured)
I Gen	<b>DC Generator</b>	9,5	dc	29,4	1	<b>279,3</b>	<b>DC Generator output power (Measured)</b>
I BVS	Start battery	0	dc	29,9	1	0	Generated (measured After start time, about 5 s)
I BVR	Working battery					64,84	Working battery output power (Calculated)

Power of DC Generator used for load	Efficiency
183,40	65,7%

T amb. during test: 15,9 °C

T water: during test: 14,8

°C

WTLab S.r.l.

## ENERGY/POWER GENERATION

Being the control circuit is not well defined, the generation of energy can be estimated by the following formula:

$$E_{out} = E_{load} - E_{BVS} - E_{BFR}$$

Where:

$E_{out}$  = Energy measured on the load

$E_{BVS}$  = Energy generated by Start battery after the start event.

$E_{BFR}$  = Energy generated by Working battery

Considering that the plant fully operational after the start time (few seconds) runs without changing voltage and current, the energy generated can be considered equal to the:

$$E_{out} = (P_{load} - P_{BVS} - P_{BFR}) \times t = P_{out} \times t$$

Where:

$P_{out}$  = Power measured on the load

$P_{BVS}$  = Power generated by Start battery after the start event.  $P_{BFR}$  = Power generated by Working

battery  $t$  = time

thus:

$P_{out} = P_{load} - P_{BVS} - P_{BFR} = 179 \text{ W}$  for the first method (resistive load)

$P_{out} = P_{load} - P_{BVS} - P_{BFR} = 183 \text{ W}$  for the second method (lamps load)

The Kinetics machine examined can generate about 180 W

Test report n. SFY01 14WC031002

WTLab S.r.l.

Test equipment and uncertainty of measurement			
Tests	Equipment		Uncertainty of measurement
Input current and power	Elspec Blackbox G4500 + Current probes: LEM IT-200S Ultrstb	ELSPW001	0,1A
		SLEMW001-2-3	1,5 V 1,5 W
Temperature measurement	Multilogger CHy 502A11 Thermocouple (K)	MLTHW001	1,5°C
		TRCPW001	

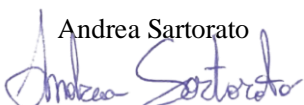
Responsabile del Laboratorio  
*/Laboratory Manager*

Operatore  
*/Technician*

  
\_\_\_\_\_

Roberto Bolzonaro

Andrea Sartorato

  
\_\_\_\_\_

Tribano, 20/12/2014

End of test report

Test report n. SFY01 14WC031002